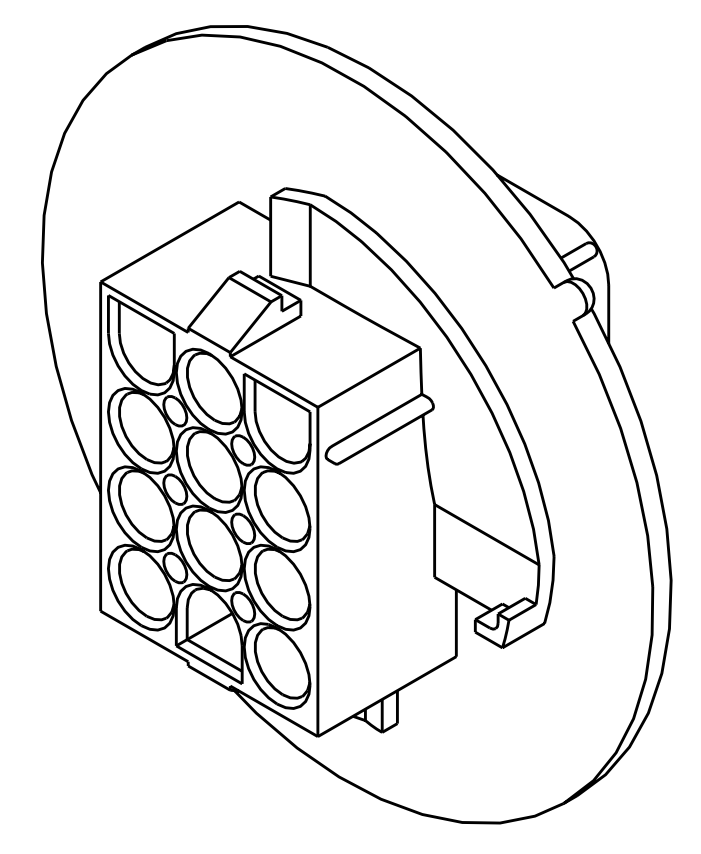
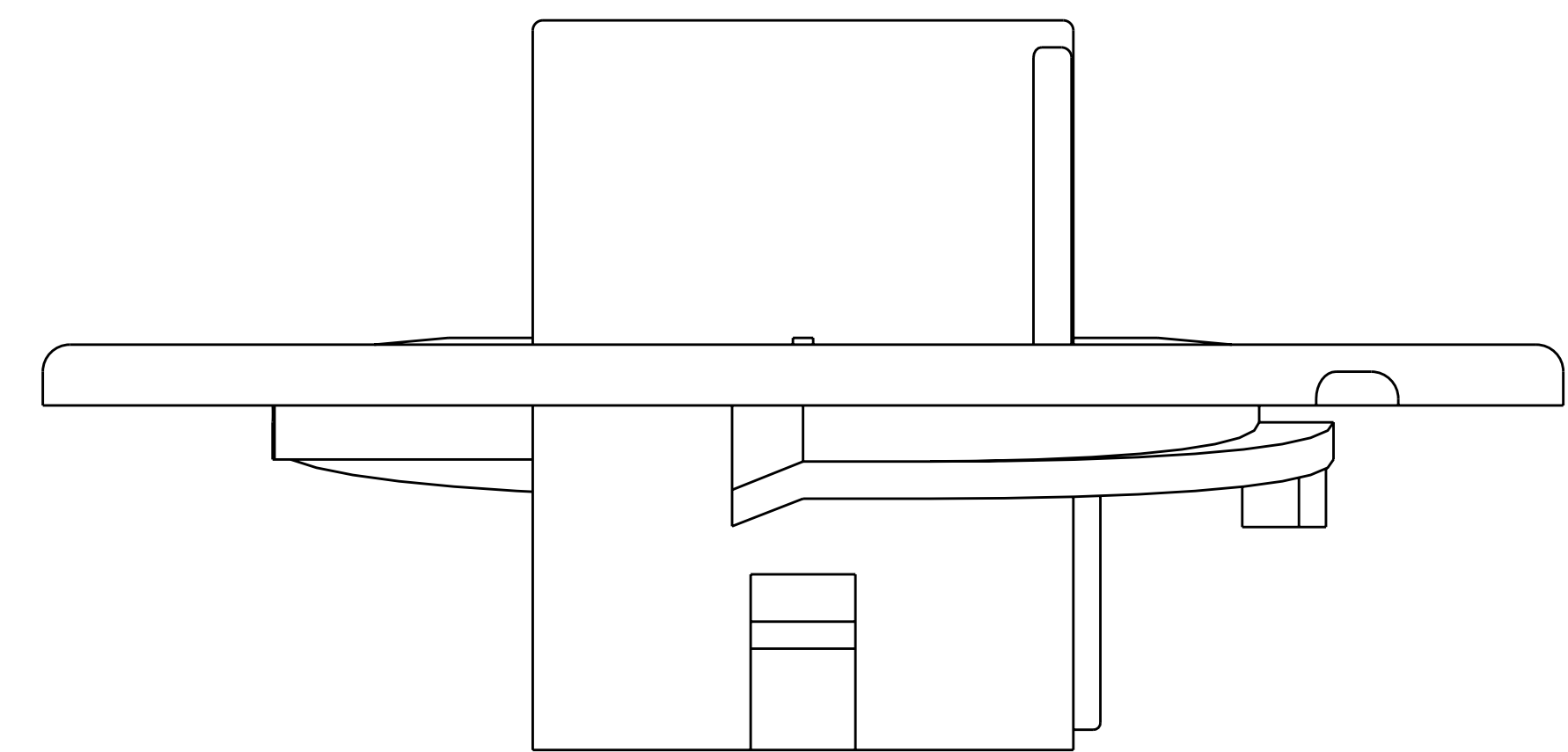
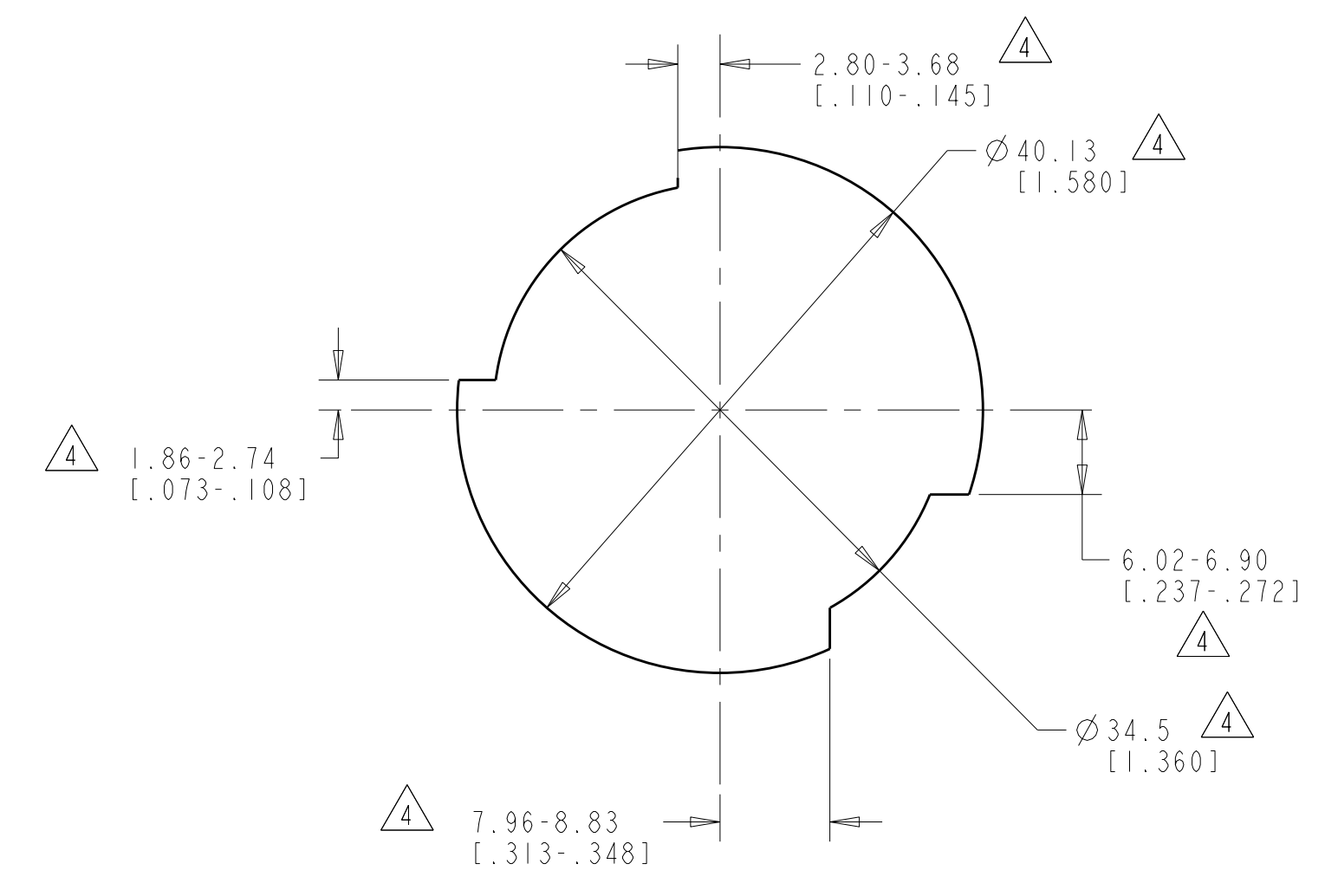


LOC	DIST	REVISIONS			
CM	00	REV	DATE	BY	APPD
		J	REVISD PER ECO-06-023424	13OCT2006	KW SR
		J1	REVISD PER ECO-06-024553	18OCT2006	KW SR
		J2	REVISD PER ECO-06-025519	07NOV2006	KW SR
		J3	REVISD PER ECO-06-028575	15DEC2006	KW SR

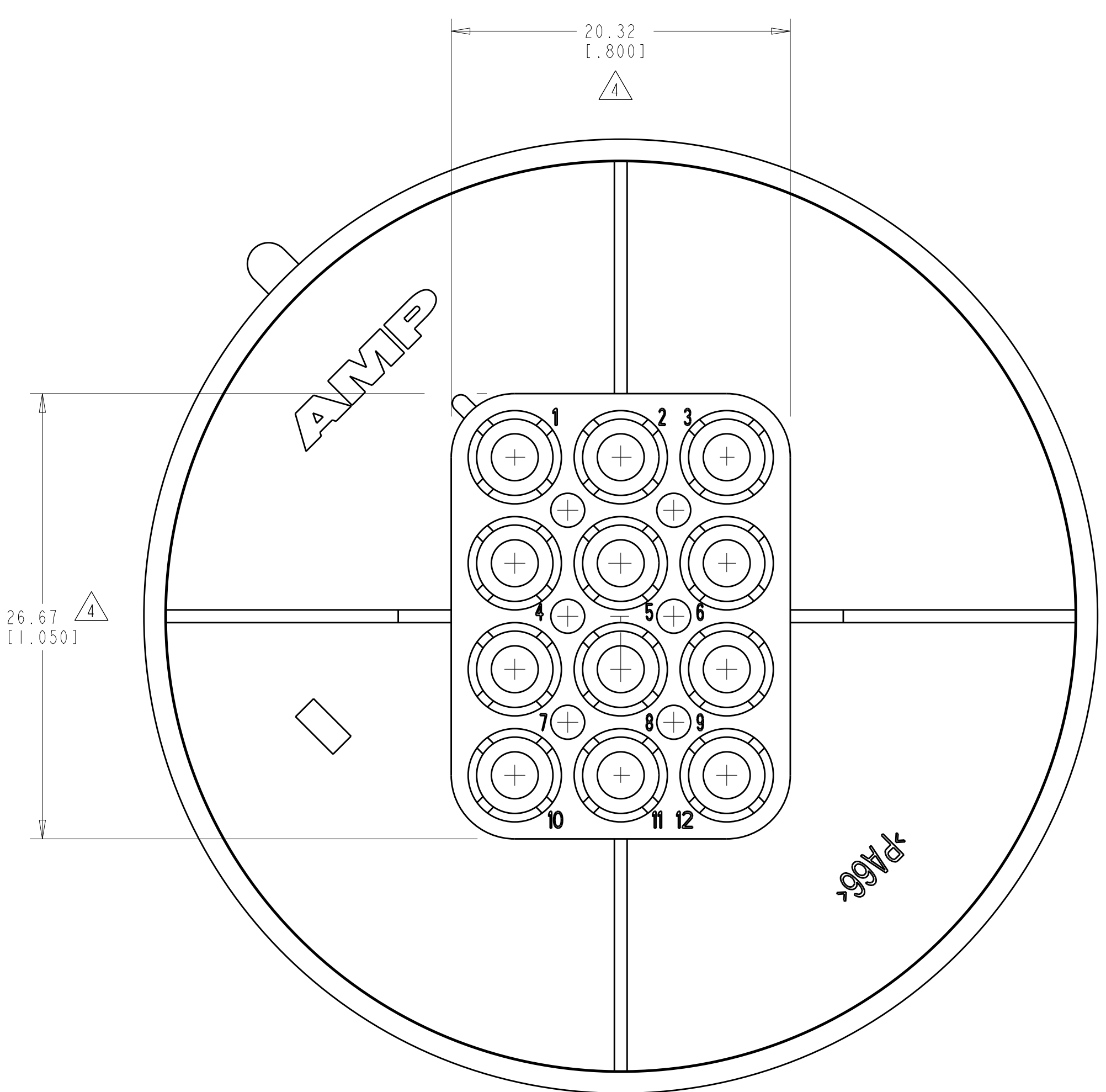
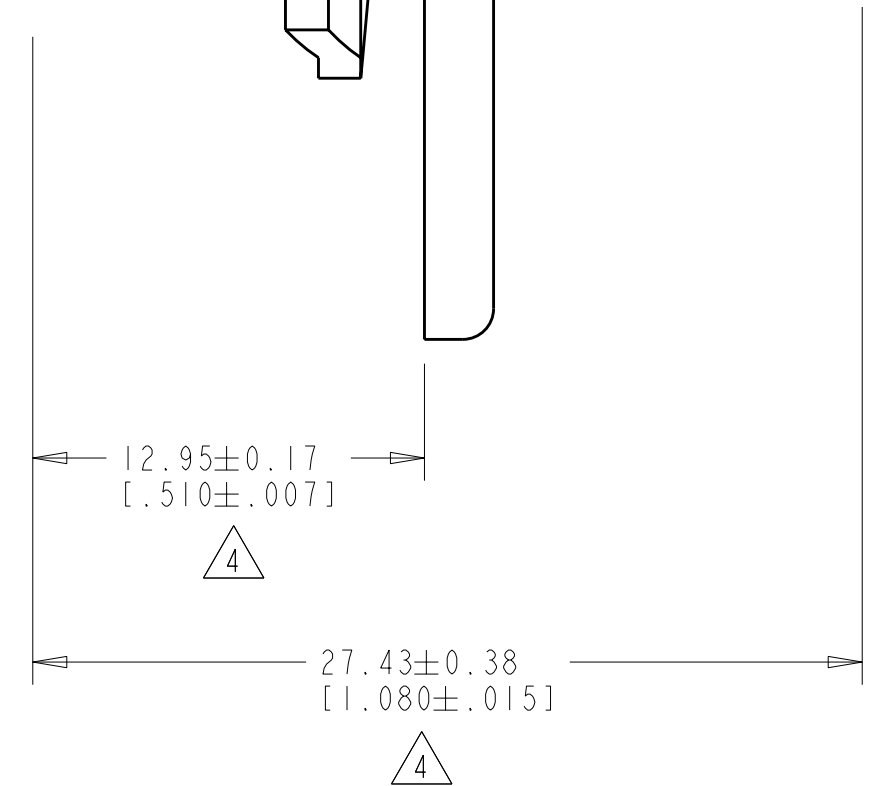
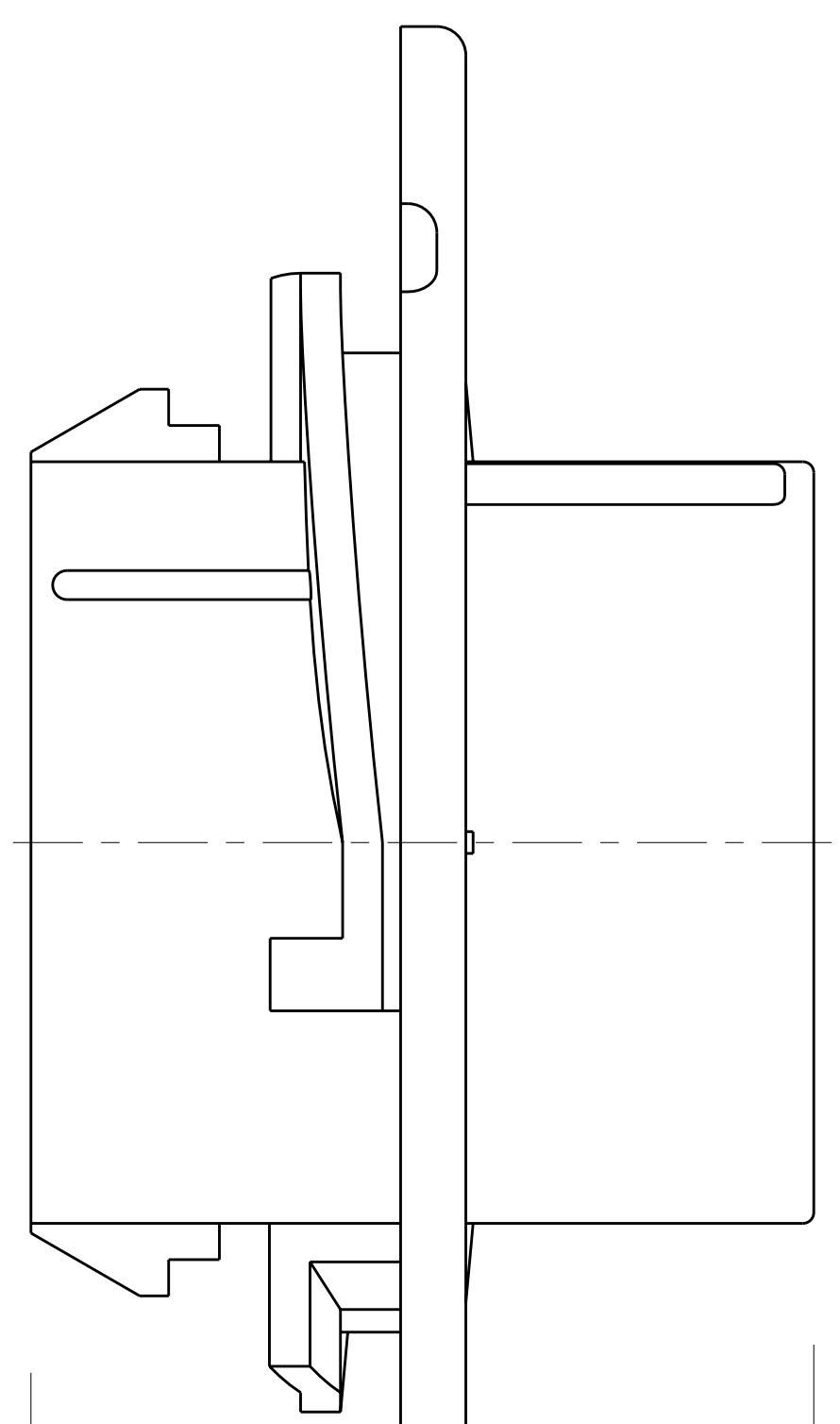
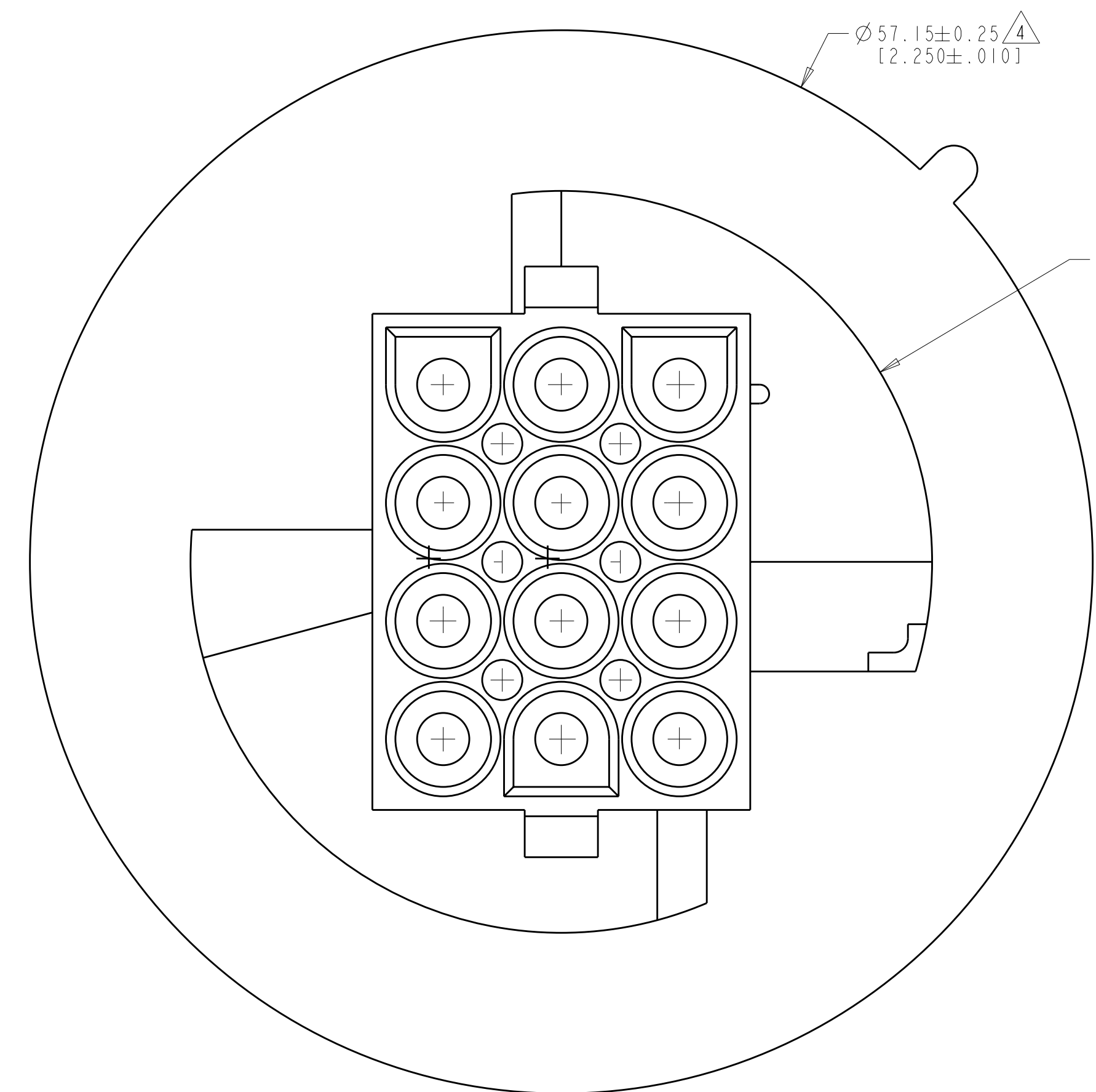


3-DIMENSIONAL MODEL  
SCALE 2:1



RECOMMENDED CUT OUT  
SCALE 2:1

- MATES WITH APPROPRIATE UNIVERSAL MATE-N-LOK™ PLUG.
  - RECOMMENDED PANEL THICKNESS 0.76 - 2.29 [ .030 - .090 ].
  - PANEL MUST BE PUNCHED SO THAT THE HOUSING ENTERS THE PANEL IN THE SAME DIRECTION AS THE PUNCH.
- △ DIMENSIONS INDICATED ARE REFERENCE. ADDITIONAL GROWTH DUE TO SUBSEQUENT MOISTURE ABSORPTION MAY OCCUR.



SUPERSEDED BY 794716-2	COLOR	PART NUMBER
	BLACK	1-794716-9
	GRAY	1-794716-8
	BLUE	1-794716-6
	GREEN	1-794716-5
	YELLOW	1-794716-4
	ORANGE	1-794716-3
	RED	1-794716-2
	BROWN	1-794716-1
PRELIMINARY	RED	794716-3
	BLACK	794716-2
	NATURAL	794716-1
	COLOR	PART NUMBER

DIMENSIONS: mm [ INCHES ]		TOLERANCES UNLESS OTHERWISE SPECIFIED: 9 PLC ± 8 PLC ±0.13 (.005) 5 PLC ± 4 PLC ± ANGLES ±40° 30'		DWN M. WHITAKER 08-OCT-1999 CHK M. TRULL 08-OCT-1999 APVD M. TRULL 08-OCT-1999		AMP Incorporated Harrisburg, PA 17105-3608	
MATERIAL: NYLON UL 94V-2		FINISH:		PRODUCT SPEC:		NAME: CAP, 12 CIRCUIT, UNIVERSAL MATE-N-LOK(TM), SPECIAL	
CUSTOMER DRAWING		WEIGHT:		SIZE: CAGE CODE: DRAWING NO: A1100779 C=794716		RESTRICTED TO:	
SCALE: 4:1		SHEET: 1 OF 1		REV: J3		DATE: 08-OCT-1999	

